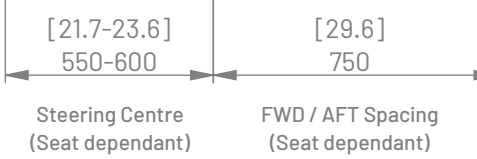
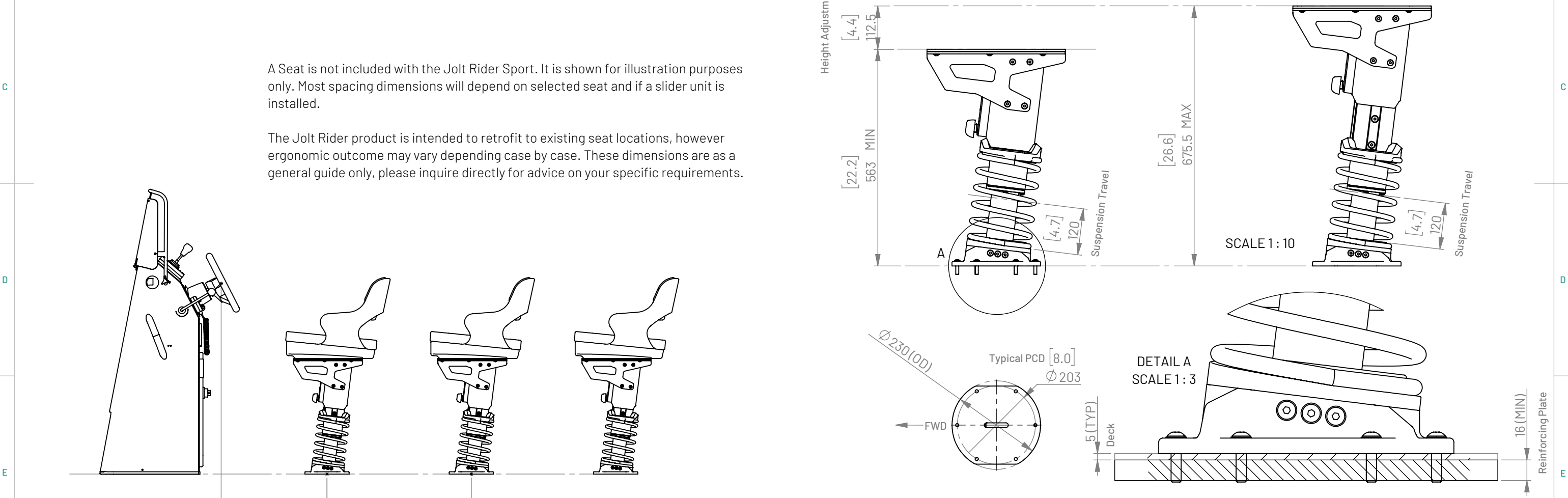


A Seat is not included with the Jolt Rider Sport. It is shown for illustration purposes only. Most spacing dimensions will depend on selected seat and if a slider unit is installed.

The Jolt Rider product is intended to retrofit to existing seat locations, however ergonomic outcome may vary depending case by case. These dimensions are as a general guide only, please inquire directly for advice on your specific requirements.



The Jolt Rider product is intended to be mounted with 6x suitable M8 Stainless Steel 316 capscrews with applicable isolation washers or equivalent measures to counter Galvanic Corrosion.

The fasteners must have a thread engagement of no less than 16mm through the deck, equivalent reinforcing plate, or threaded inserts. Jolt Rider takes no responsibility for inadequate supporting deck structure, please refer to your local boat manufacturer, supplier or marine engineer.

<b>JOLT RIDER</b>	DIMENSIONS ARE IN: mm		REVISION	NOTES	DATE	TITLE / PART NUMBER:			
	TOLERANCES: Angular: +/- 0.5 One Place Decimal: +/- 0.100 Two Place Decimal: +/- 0.050 Three Place Decimal: +/- 0.025		A	ISSUED FOR REFERENCE	20180920	JOLTRIDER SPORT JRS-1804 Customer Technical Drawing Sheet1			
MATERIAL: n/a		FINISH: n/a		REVISION:		SHEET:	SCALE:	SIZE:	DATE:
VOLUME: n/amm <sup>3</sup>		DENSITY: n/ag/mm <sup>3</sup>		A		1 OF 1	1:20	A3	2018-09-20
jolt rider.com   sales@jolt rider.com   PO Box 303222, North Harbour 0751, Auckland, New Zealand		WEIGHT: 11kg each		DRAWN BY: JOLT RIDER		APPROVED: n/a			