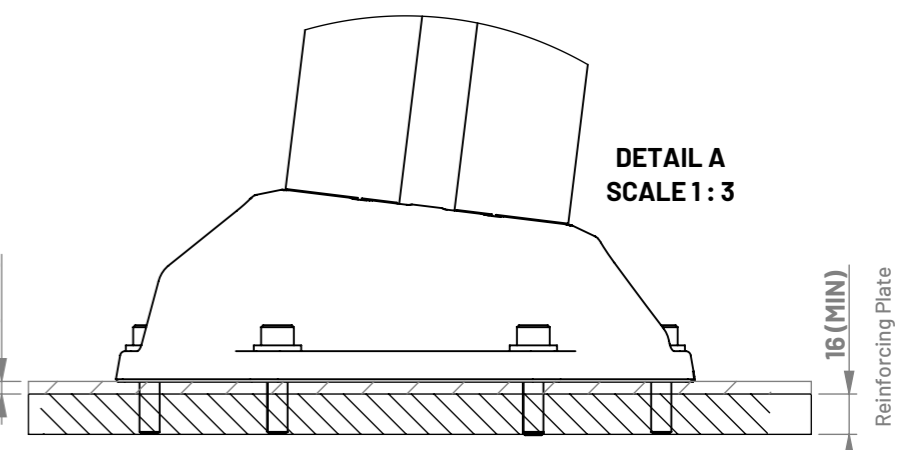
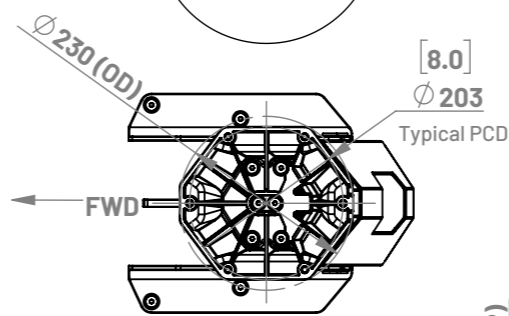
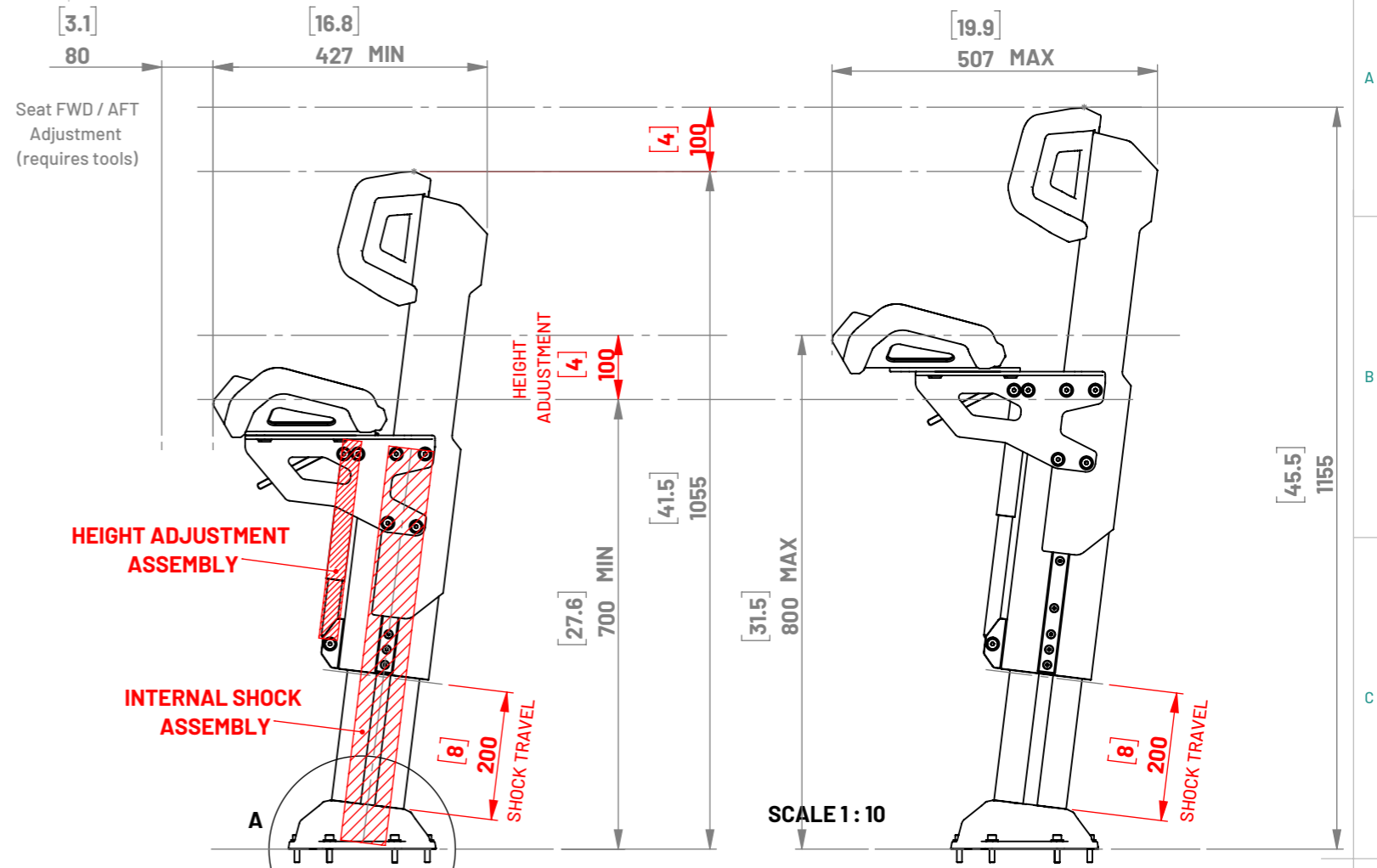
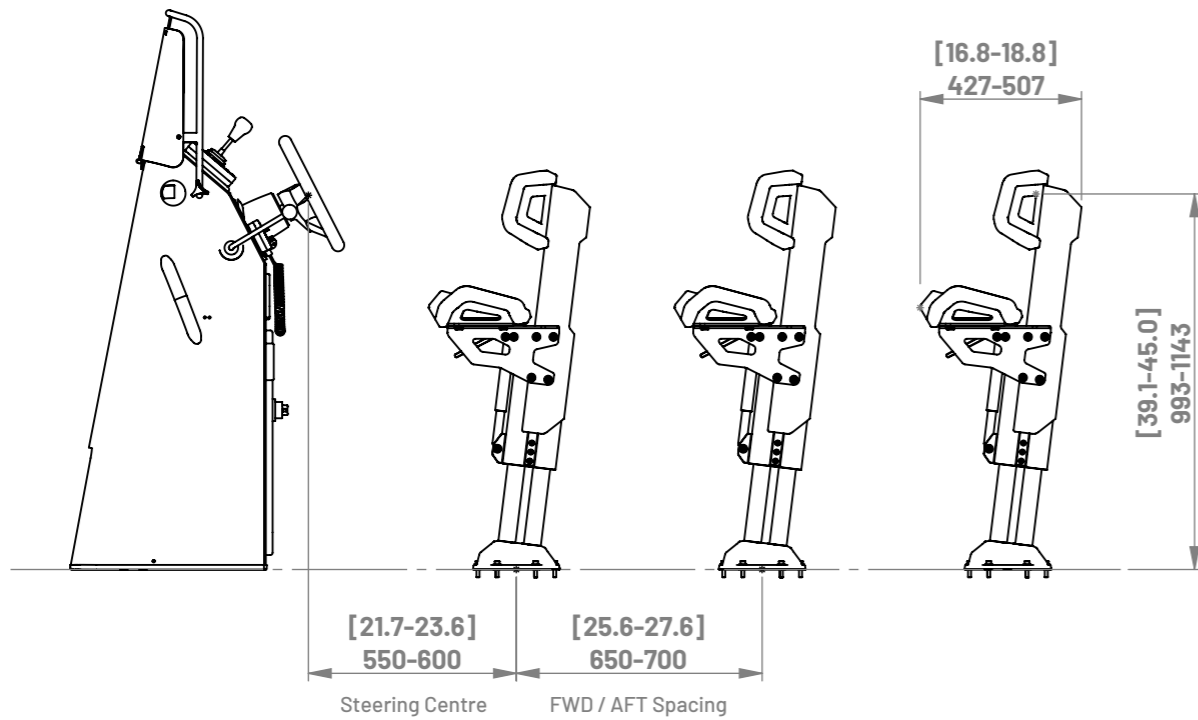
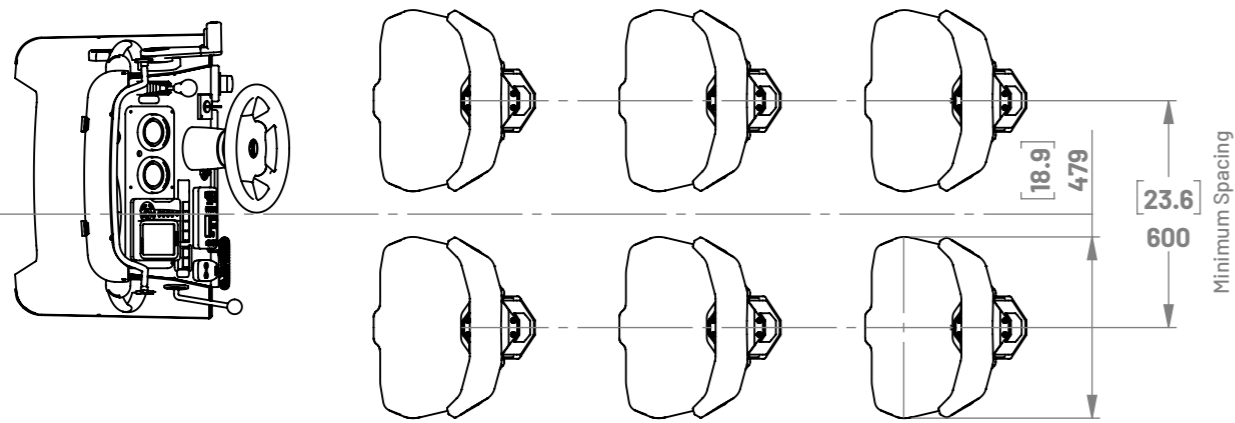


JRP-2205 GEN5 PRO BOLSTER

MODEL	JRP-2205
TRAVEL	200mm (8in)
SEAT HEIGHT	700mm (28in)
HEIGHT ADJUSTMENT	+100mm (4in)
FWD/AFT ADJUSTMENT	+40/80mm (0-3in) Initial Setup
MOUNTING	203mm (8in) PCD x6
WEIGHT	21kg (46lb)
USER WEIGHT	70 - 110kg (150lb - 250lb)
SEA STATES	MODERATE to HEAVY



The Jolt Rider product is intended to be mounted with 6x suitable M8 Stainless Steel 316 capscrews with applicable isolation washers or equivalent measures to counter Galvanic Corrosion.

The fasteners must have a thread engagement of no less than 16mm through the deck, equivalent reinforcing plate, or threaded inserts. Jolt Rider takes no responsibility for inadequate supporting deck structure, please refer to your local boat manufacturer, supplier or marine engineer.

The Jolt Rider product is intended to retrofit to existing seat locations, however ergonomic outcome may vary depending case by case. These dimensions are as a general guide only, please inquire directly for advice on your specific requirements.

JOLTRIDER	DIMENSIONS ARE IN: mm		REVISION	NOTES	DATE	TITLE / PART NUMBER:				
	TOLERANCES: Angular: +/- 0.5 One Place Decimal: +/- 0.100 Two Place Decimal: +/- 0.050 Three Place Decimal: +/- 0.025		A	ISSUED FOR REFERENCE	20230320	JOLTRIDER PRO BOLSTER JRP-2205 Customer Technical Drawing				
MATERIAL: n/a	FINISH: n/a		B	FWD/AFT ADJUSTMENT UPDATED	20230327	REVISION:	SHEET:	SCALE:	SIZE:	DATE:
VOLUME: n/amm ³	DENSITY: n/ag/mm ³		C	NOTES ADDED	20230331	C	1 of 1	1:20	A3	31/03/2023
Copyright © Jolt Rider Ltd. Information contained in this drawing may not be reproduced or used for any purpose without express written permission from Jolt Rider Ltd.		joltrider.com sales@joltrider.com PO Box 303222, North Harbour 0751, Auckland, New Zealand		WEIGHT: ~21kg each		DRAWN BY: BEN THOMSEN		APPROVED: BEN THOMSEN		